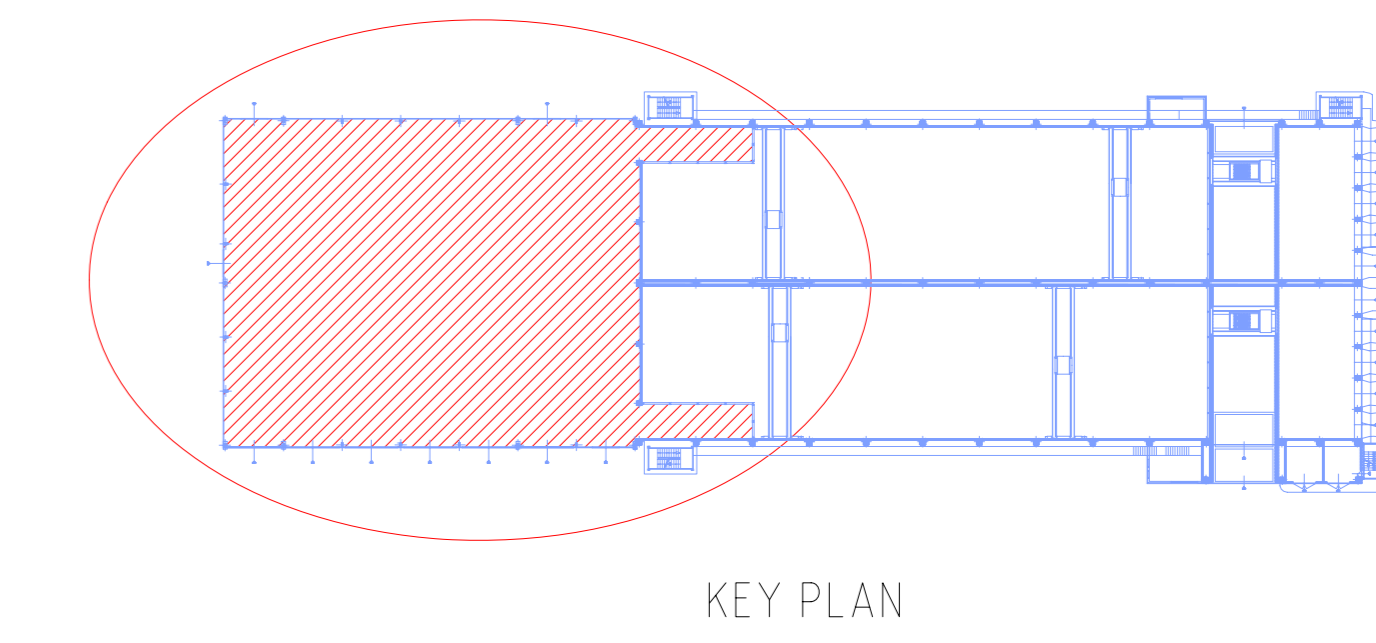


Pos	Description
M001	Ventilator
M002	Fabric filter
M003	Large size electro hydraulic press
M004	Conveyor
M005	Drum separator
M006	Eddy Current separator
M007	Flip-flop screen
M008	Permanent magnet
M009	Shredder
M010	Combi separator
M011	Windshifter
M012	Trommel
M013	Input Hopper
M014	Emergency waste extractor



Rev	Description	Drawn	App'd	Date

Chichester, Havant, Southampton
 Hampshire, SO45 3ZA

Project: **PONTYPOOL WASTE MANAGEMENT FACILITY EIA**

Title: **Refinement Section Layout**

Project No	04529863	Checked	S.E.	Scale	1:100 @ A0
File No	SP1885	Approved	S.E.	Issue	FINAL
Created By	J.W.	Date	Dec-2008		
Project Name	PAS8				

Golder Associates
 1st Floor
 100 West Street
 London EC4A 3DF
 Tel: +44 (0)20 7797 6000
 Fax: +44 (0)20 7797 6001
 Email: uk@golder.com